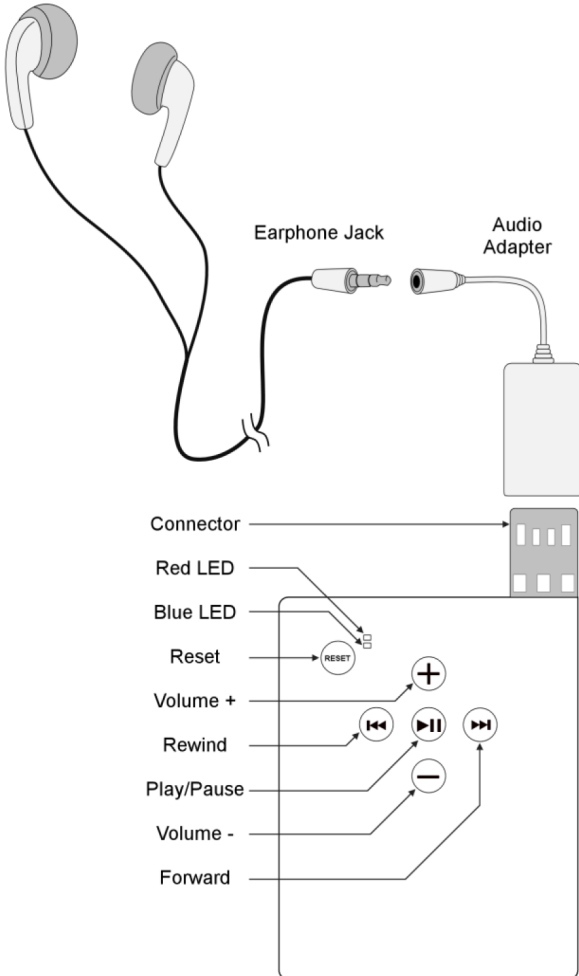


FLATFLASH MP3 PLAYER MANUAL



Thank you for purchasing the Flatflash MP3 Player, a new portable digital music player that fits in your wallet.

All rights reserved. Patent number 7458825

AUDIO & DATA FILES

The Flatflash MP3 Player supports MP3 files. Data files (including video) may also be stored on the device and accessed as with any USB Flash Drive.

CONNECTING

The Flatflash MP3 Player connects with the computer through the USB port. Your computer's USB port can be used to recharge the battery. You should give the player an initial charge of 3 hours. Upon use, 45 minutes will charge your battery to 80% capacity and approximately 90 minutes for a full charge.

The **Audio Adapter** connects to the Flatflash MP3 Player's USB connector. The other end of the adapter accepts the earphone jack (standard 2.5mm audio plug).

NOTE: You must make sure that the adapter is pushed all the way down on the USB connector.

TRANSFERRING FILES

1. Ensure that your computer is properly booted up and your operating system is idle.
2. Connect Flatflash MP3 Player to an active USB port of the computer.
- 3a. In Windows, open "My Computer" – you should find a new icon named "FLATFLASH" representing the Flatflash MP3 Player. You may rename this drive by right-clicking the drive in Windows Explorer and selecting "Rename".
- 3b. On a Mac, after plugging in your Flatflash player, a new drive should appear called "FLATFLASH" representing the Flatflash MP3 Player. You may rename this drive by selecting "File" then "Get Info". Scroll down to "Name and Extension" to rename. When data is transferring the **Red** light on the device will blink.

NOTE: Do not unplug Flatflash MP3 Player while transferring data; otherwise the data may be lost.

Unplugging - When data transfer is complete, **wait about 3 seconds** before unplugging Flatflash MP3 Player from USB port to ensure data transferred successfully, or remove the device using Safely Remove Hardware console from Windows.

BATTERY

The **Red** and **Blue** lights will flash when the battery is at low power. To recharge, connect the Flatflash MP3 Player to an active USB port. While charging, a steady red light will be lit. You should give the player an initial charge of 3 hours. Upon use, 45 minutes will charge your battery to 80% capacity and approximately 90 minutes for a full charge. When the battery is fully charged, both **Blue and Red** lights will be lit.

NOTE: Only a computer that is turned on can charge the battery.

KEYSTROKE OPERATIONS

Power On - hold **Play/Pause** for 3 seconds and the **Blue** light will turn on and audio will begin to play.

NOTE: When the Flatflash MP3 Player is paused, the device will power off automatically if there is no operation for one minute.

Power Off - To power off Flatflash MP3 Player, hold **Play/Pause** for 3 seconds.

Play/Pause – Press the **Play/Pause** button to play/pause audio. While playing, the **Blue** light will blink slowly. When **Paused**, the **Blue** light will blink rapidly.

Next Track/Previous Track- Press the **Forward/Rewind** button to skip/go back to the desired track.

Fast Forward - Hold down the **Forward/Rewind** button to fast-forward/reverse to the desired position in the track.

Volume – Press the **Volume +/-** button to increase/decrease volume. Holding the **Volume +/-** button down will adjust the volume quickly.

RESET

The **Reset** button is used for troubleshooting the Flatflash MP3 Player and will turn off the device.



Be Flat.

15 Sedan Terrace
Fairfield, CT 06825
Phone 212-655-9377

www.flatflashgroup.com
info@flatflashgroup.com